

SPECIFICATION

EASY — IN A — HARD WORLD



TANDEM VIBRATORY ROLLERS | CT160 / 260 / 380 / 430

Operating weight: 1,710 - 4,500kg Engine power: 14.2 - 36.5kW Drum width: 800 - 1,400mm



EASY IN A HARD WORLD.

The JCB CT tandem rollers have been designed to be easy to use, easy to be productive, easy to keep safe and secure and easy to service. The simple drum offset increases the efficiency and the chamfered drum edges create a smooth finish. They are also trailer towable for ease of transport.



EASY TO BE PRODUCTIVE.

The CT tandem rollers feature high centrifugal forces and static linear loads for the best compaction performance – dynamically or statically – on aggregates or asphalt.



EASY AND EFFICIENT.

The JCB CT tandem rollers have been designed to be easy to use, easy to be productive, easy to keep safe and secure and easy to service.

EASY TO USE.

With a simple, intuitive control layout and superior operator comfort, our new tandem rollers make working not just easy but also a pleasure.



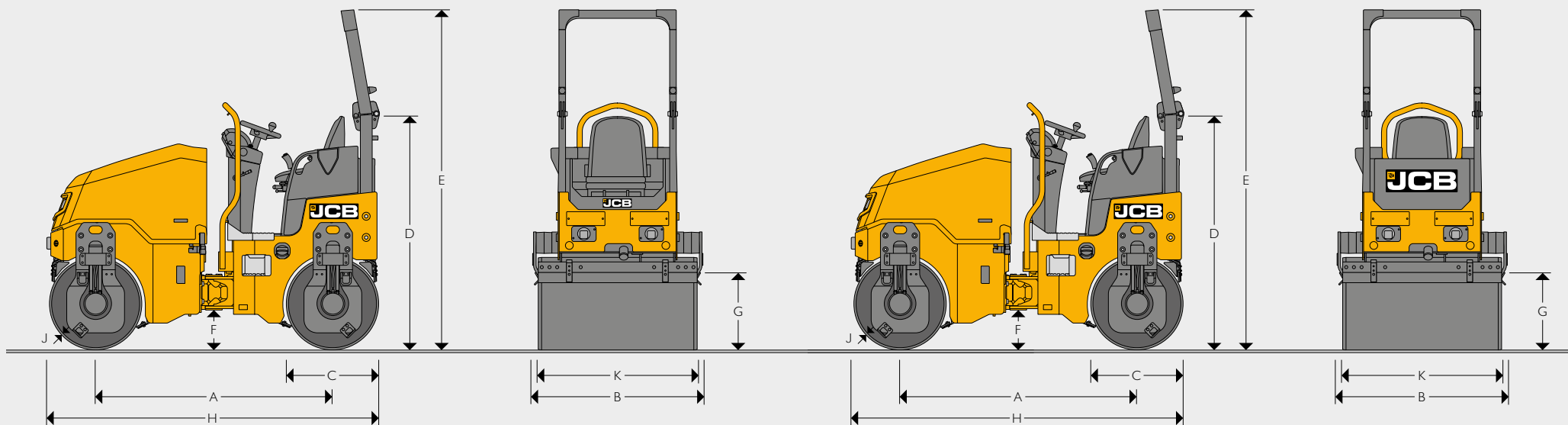
EASY TO SERVICE.

Easy access engine service points, longer service intervals and many zero maintenance parts, our CT tandem rollers are easy to maintain.

EASY TO KEEP SAFE AND SECURE.

With JCB's LiveLink telematics system as standard, plus many built-in safety features, the CT tandem rollers give you complete peace of mind.

STATIC DIMENSIONS



STATIC DIMENSIONS

			CT160-80	CT160-100	CT260-100	CT260-120	CT380-130	CT430-140
A	Wheelbase	mm	1560	1560	1790	1790	2020	2020
B	Overall width	mm	960	1090	1095	1295	1390	1490
C	Drum diameter	mm	580	580	700	700	800	800
D	Height to top of seat	mm	1650	1650	1755	1755	1720	1720
E	Height to top of ROPS	mm	2485	2485	2510	2510	2550	2550
F	Ground clearance	mm	255	255	270	270	300	300
G	Curb clearance	mm	510	510	560	560	680	680
H	Total travel length	mm	2140	2140	2490	2490	2830	2830
J	Drum thickness	mm	12	12	12	12	17	17
K	Drum width	mm	800	1000	1000	1200	1300	1400

OPERATING DATA													
		CT160-80		CT160-100		CT260-100		CT260-100		CT380-130		CT430-140	
Nominal weight	kg	1630		1710		2280		2280		3820		4220	
Operating weight (CECE)	kg	1710		1790		2420		2420		4100		4500	
Maximum operating weight	kg	1790		1870		2600		2600		4400		4850	
Operating weight front	kg	800		840		1190		1190		2050		2250	
Operating weight rear	kg	910		950		1230		1230		2050		2250	
Working width	mm	800		1000		1000		1000		1300		1400	
Operating linear load	kg/cm	10.0	11.4	8.4	9.5	11.9	12.3	11.9	12.3	15.8	15.8	16.1	16.1
Exciter frequency	Hz	50	66	50	66	50	66	50	66	50	60	50	60
Nominal amplitude	mm	0.41		0.35		0.56		0.56		0.50		0.50	
Centrifugal force (each drum)	kN	10.9	19.1	10.9	19.1	23.6	41.1	23.6	41.1	41	59	44	63
Max. Working speed	km/h	9		9		10		10		10		10	
Drum offset left / right - manual (option)	mm	56		56		60		60		80		80	
Steering angle	degrees	±33		±33		±33		±33		±34		±34	
Oscillation angle	degrees	±8		±8		±8		±8		±13		±13	
Inner turn radius	mm	2160		2090		2475		2475		2665		2615	
Gradeability with vibration up to	%	25		25		30		30		30		30	
Gradeability without vibration up to	%	35		35		40		40		40		40	

ENGINE					
		CT160	CT260	CT380	CT430
Make		Kubota	Kubota	Kohler	Kohler
Model		D1005-E4B-EU	D1703-M-DI-E4B	KD11903	KD11903
Type		3 cylinder, water-cooled four-stroke diesel engine	3 cylinder, water-cooled four-stroke diesel engine	3 cylinder, water-cooled four-stroke diesel engine	3 cylinder, water-cooled four-stroke diesel engine
Piston displacement	cm ³	1001	1647	1861	1861
Performance	kW (hp)	14.2 (19.0)	18.2 (24.4)	36.5 (48.9)	36.5 (48.9)
Operating speed	rpm	2550	2200	2600	2600
Starting device		Electric motor	Electric motor	Electric motor	Electric motor
Air cleaner		Dry cartridge + safety cartridge	Dry cartridge + safety cartridge	Dry cartridge + safety cartridge	Dry cartridge + safety cartridge
Fuel filler		Cartridge	Cartridge	Cartridge	Cartridge

PROPULSION	
Hydrostatic with variable displacement pump and fixed displacement motors with direct drive to both drums = double drum drive.	

EXCITER DRIVE	
Electronically controlled hydrostatic direct drive on both drums for double vibration or single vibration front or rear, AVC (automatic vibration control).	

EXCITER	
Single-shaft circular exciter.	

STEERING SYSTEM	
Servo assisted, maintenance free centre articulation with oscillation facility.	

SERVICE CAPACITIES					
		CT160	CT260	CT380	CT430
Fuel tank capacity	litres	33	46	60	60
Sprinkler water tank capacity	litres	100	197	210	210

BRAKING SYSTEM	
Service brake: Hydrostatic propulsion system.	
Parking brake: Hydraulically-released brake on both drums (SAHR).	

WATER SYSTEM	
Pressurised sprinkling system, adjustable scrapers (two each drum), changeable nozzles, multiple water filtering.	

ELECTRICAL SYSTEM					
		CT160	CT260	CT380	CT430
Electrical system voltage	V	12	12	12	12
Battery capacity	Ah	62	62	74	74
Alternator	A	60	70	100	100

DRIVERS STAND / INSTRUMENTS	
Fuel, battery charging current, sprinkler system, parking brake, hour meter, engine oil pressure, air filter condition, hydraulic oil level and temperature, water level indicator, cup holder, comfortable adjustable operator seat and safety belt, flashing amber beacon, fan guard, locking instrument panel cover, reverse alarm, foldable ROPS, operator presence detection, seat belt detection.	

OPTIONS	
Foldable ROPS, road light kit, seat belt activated green beacon, key immobiliser, UK language pack (green beacon, amber seat belt, Cesar Datatag), Italian road homologation kit, tool kits.	
CT380/430 only:	
Edge cutting & pressing device	
PRO PACKAGE CT380/430: 2nd drive lever, foldable and spring-loaded drum scrapers, white noise reverse alarm, additional LED working lights on ROPS asphalt temperature sensor.	









ONE COMPANY, OVER 300 MACHINES.

Your nearest JCB dealer

Tandem Vibratory Rollers CT160 / 260 / 380 / 430

Operating weight: 1,710 - 4,500kg Engine power: 14.2 - 36.5kW Drum width: 800 - 1,400mm

JCB Sales Limited, Rokecster, Staffordshire, United Kingdom ST14 5JP.

Tel: +44 (0)1889 590312 Email: salesinfo@jcb.com

Download the very latest information on this product range at: www.jcb.com

©2024 JCB Sales. All rights reserved. No part of this publication may be reproduced, stored in a retrieval system, or transmitted in any form or by any other means, electronic, mechanical, photocopying or otherwise, without prior permission from JCB Sales. All references in this publication to operating weights, sizes, capacities and other performance measurements are provided for guidance only and may vary dependant upon the exact specification of machine. They should not therefore be relied upon in relation to suitability for a particular application. Guidance and advice should always be sought from your JCB Dealer. JCB reserves the right to change specifications without notice. Illustrations and specifications shown may include optional equipment and accessories. All images are correct at time of print. The JCB logo is a registered trademark of J C Bamford Excavators Ltd.

