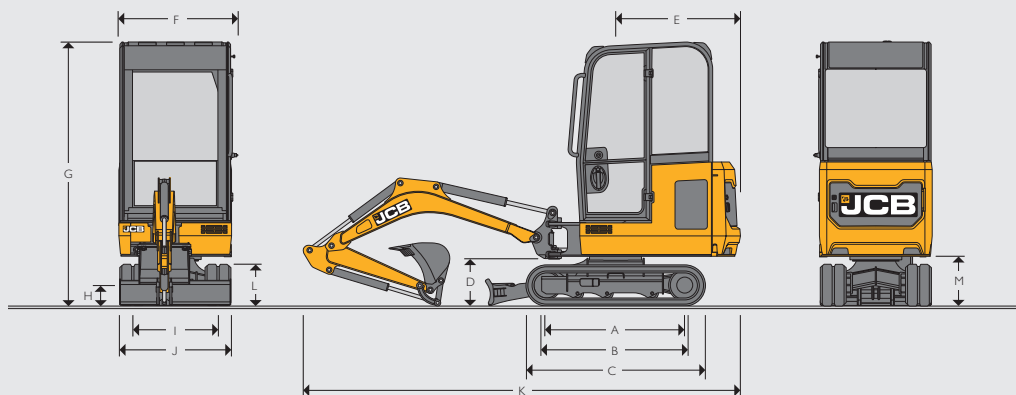


STATIC DIMENSIONS



Machine model		15c-1	16c-1	
A	Sprocket idler centres	mm	1022	1218
B	Track length on ground	mm	1030	1220
C	Undercarriage overall length - rubber	mm	1378	1578
	Undercarriage overall length - steel	mm	1378	1578
D	Kingpost clearance	mm	409	409
E	Tailswing radius	mm	1103	1103
F	Overall width of superstructure	mm	996	996
G	Height over cab	mm	2324	2324
	Height over canopy	mm	2342	2342
H	Ground clearance	mm	162	162
I	Track gauge - retracted/extended	mm	750	750-1110
J	Width over tracks / rubber / steel - retracted	mm	980	980
	Width over tracks / rubber / steel - extended	mm	N/A	1330
K	Transport length	mm	3860	3860
L	Track height	mm	367	367
M	Counterweight clearance	mm	434	434

ENGINE

Machine model	15c-1, 16c-1	
Model	403D-07	
Fuel	Diesel	
Cooling	Water cooled	
Gross power ISO 14396	kW	11.7 @ 2550 rpm
Net power	kW	10.8 @ 2550 rpm
Max. torque ISO 14396	Nm	45.6 @ 2000 rpm
Displacement	cc	762
Gradeability	degrees	35°
Starter motor	kW	1.2
Battery	volt / amps	12V / 65AH
Alternator	amps (aircon)	60

UNDERCARRIAGE

Machine model	15c-1	16c-1	
	Fixed	Retractable	
No. of bottom rollers	3	3	
Track width rubber	mm	230	230
Track width steel	mm	230	230
Track tensioning (rubber)	kg/cm ²	15-25	15-25
Track tensioning (steel)	kg/cm ²	25-40	25-40
Travel speed – low	kph	2.0	2.4
Travel speed – high	kph	N/A	4.1
Tractive effort	kN	11.5	11.5

HYDRAULIC SYSTEM

Machine model	15c-1	16c-1	
Pump	cc	10	18
Nominal output @ 2000rpm	lpm	20	36
Excavator/track main relief pressure	bar	205	205
Slew main relief pressure	bar	205	205
Auxiliary hydraulic pressure (Aux 1)	bar	200	200
Auxiliary hydraulic flow (Aux 1)	lpm	25	32
Hydraulic pump	Gear		Piston

WEIGHTS

Machine model	15C-I		16C-I		
	Canopy	Cab	Canopy	Cab	
Operating weight*	kg	1554	1664	1639	1749
FOPS (Falling Object Protective Structure) guard	kg	N/A	15	N/A	15
Steel tracks	kg	81			
Long dozer	kg	9			
Mechanical quickhitch	kg	14			
Shipping weight**	kg	1460	1570	1545	1655
Ground bearing pressure (rubber tracks)	kg/cm ²	0.33	0.33	0.35	0.36
Ground bearing pressure (steel tracks)	kg/cm ²	0.35	0.35	0.36	0.38
Transport weight (operator weight - 75kg)	kg	1479	1589	1564	1674

*Operator weight to ISO 6016 including cab/canopy, rubber tracks, 950 dipper (15C-I & 16C-I), 300mm bucket, full tanks and a 75kg operator.

**Shipping weight to ISO 6016 is mass of the base machine without operator, with fuel level at 10% of tank capacity.

SERVICE CAPACITIES

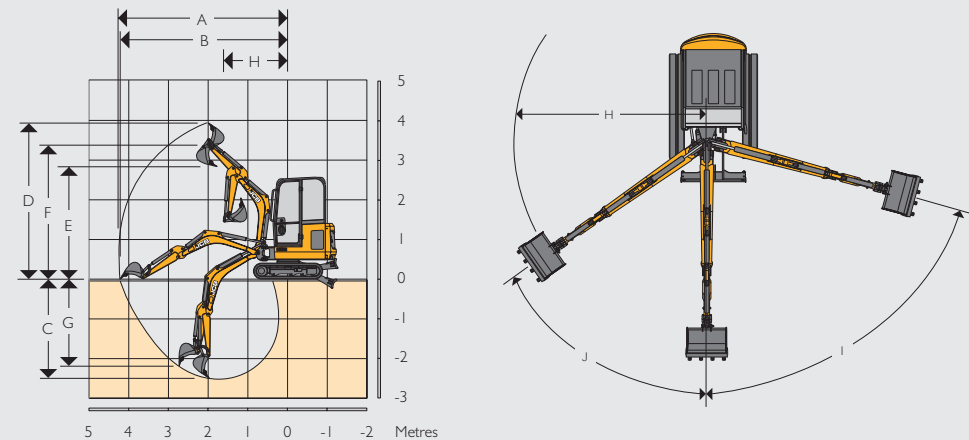
Machine model	15C-I		16C-I	
Fuel tank	ltr	18.5		
Engine coolant	ltr	Canopy model: 4.2 Cab model: 4.7		
Engine oil	ltr	2.5		
Hydraulic system	ltr	28		
Hydraulic tank	ltr	15		

OPERATOR ENVIRONMENT

Machine model	15C-I		16C-I	
Cab/canopy height	mm	2330 / 2347		
Cab/canopy height with FOGS guard LEVEL I	mm	2349 / 2347		
Cab/canopy length with FOGS guard LEVEL I	mm	1236 / 1427		
Cab/canopy length	mm	1202 / 1427		
Cab/canopy width	mm	976 / 978		

DOZER

Machine model	15C-I		16C-I	
Dozer length (STD) centre of boss	mm	787		
Max. height above ground	mm	239		
Dig depth below ground	mm	225		
Approach angle	degrees	25.3		
Width (without wings)	mm	980		
Width (with wings)	mm	1340		
Height	mm	234		

WORKING RANGE

		15C-I / 16C-I (950mm Dipper)	15C-I / 16C-I (1100mm Dipper)	
	Boom length	mm	1800	1800
A	Max. digging reach	mm	3899	4043
B	Max. digging reach on ground	mm	3834	3981
C	Max. digging depth – dozer up	mm	2271	2421
	Max. digging depth – dozer down	mm	2426	2576
D	Max. digging height	mm	3556	3667
E	Max. dump/load-over height	mm	2598	2637
F	Max. height to dipper nose pivot pin	mm	3116	3154
G	Max. vertical wallcut depth	mm	1933	2139
H	Min. front swing radius (no offset)	mm	1488	1517
	Min. front swing radius (fully offset)	mm	1171	1196
I	Boom swing left	degrees	75°	75°
J	Boom swing right	degrees	55°	55°
	Bucket rotation	degrees	201°	201°
	Dipper rotation	degrees	126°	126°
	Bucket tearout	kN	15.6	15.6
	Dipper tearout	kN	8.8	7.9
	Slew speed	rpm	7.9	7.9

EQUIPMENT

Machine model	15c-1	16c-1
SERVICE AND MAINTENANCE		
Beacon ready kit	•	•
Single element air cleaner	•	•
500 hours dig end greasing intervals	•	•
Grease gun & cartridge	+	+
Toolkit	+	+
Automatic glow plug		
TRACKS AND UNDERCARRIAGE		
230mm short pitch rubber tracks	+	•
Two speed tracking		•
Retractable undercarriage		•
Extendable dozer blade		•
Heavy duty recoiled tracked tensioners	•	•
230mm long pitch rubber tracks	•	+
230mm steel tracks	+	+
Long dozer blade	+	+
Auto kick down track motors		+
OPERATOR STATION		
Full audio visual warning systems	•	•
Full control isolation	•	•
12 volt power socket	•	•
ISO servo controls	•	•
Static seat	•	•
Dual patterned controls (ISO/SAE changeover)	+	+
Fabric suspension seat	+	+
Vinyl suspension seats	+	+
LED interior lights	+	+
Sunblind	+	+
Fire extinguisher	+	+
Track lever pedals	+	+
Full radio kit	+	+
HYDRAULICS		
Hydraulic slew travel lock	•	•
Single acting auxiliary circuit	•	•
Variable displacement pump		•
Straight line travel circuit	•	•
ORFS hydraulics	•	•
Quick release auxiliary couplers	•	•
Double acting auxiliaries	+	+

Machine model	15c-1	16c-1
PROTECTION AND SAFETY		
ROPS, TOPS & FOGS certified canopy	•	•
ROPS & TOPS certified cab	+	+
Internal lockable toolbox	•	•
Protected boom work light	•	•
2GO hydraulic isolation	•	•
Cesar Data Tag (UK ONLY)	•	•
Battery isolator (Europe)	•	•
Battery isolator (ROW)	+	+
Rotating beacon	+	+
Seat belt engaged green beacon	+	+
LiveLink	+	+
Pin pad immobiliser	+	+
Key immobiliser	+	+
Polycarbonate front screen protection (canopy)	+	+
Boom LED worklight & guard	+	+
FOGS guard level 1	+	+
White noise travel alarm	+	+
EXTERNAL EQUIPMENT		
Standard dipper (mm)	950	950
Tie down points	•	•
LED beacon	+	+
Dipper options (mm)	1100	1100
Halogen work lights	+	+
Heavy duty kingpost	+	•
Exterior mirrors	+	+
Full bucket range	+	+
Mechanical quick hitch	+	+
Thumb ready dipper	+	+

STANDARD •

OPTIONAL +